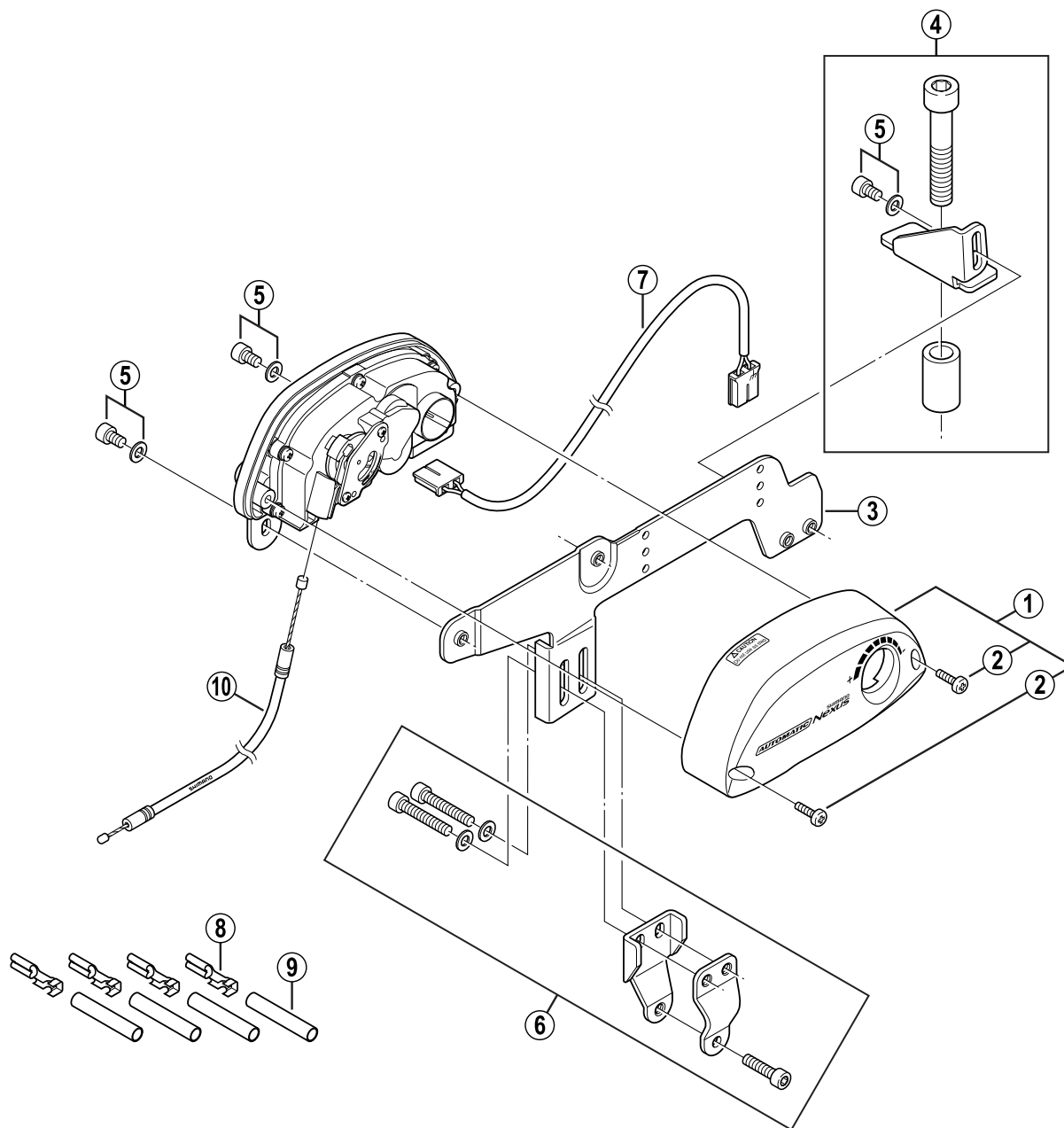


SHIMANO NEXUS AUTO-D
AI-3S30



Q'TY	ITEM NO.	SHIMANO CODE NO.	DESCRIPTION
	1	Y-7B7 98010	Main Unit Cover & Fixing Screws
	2	Y-7B7 13000	Cover Fixing Screw
	3	Y-7B7 14000	Installation Base
	4	Y-7B7 98030	Installation Base B Unit
	5	Y-7B7 98040	Main Unit Fixing Bolt (M5 x 8) & Washer
	6	Y-7B7 98050	Installation Band Unit
	7	Y-7B7 98060	Cable (1850 mm) w/Connection Terminal
	8	Y-7B7 23000	Connection Terminal
	9	Y-7B7 30000	Terminal Cover
	10	Y-7B7 24000	LS-AI3S30 Cable Set (225 mm)