

SHIMANO®

SHIMANO EUROPA

Industrieweg 24 NL-8071 CT Nunspeetâ Holland
Phone 31-3412-72222

SHIMANO AMERICAN CORPORATION

One Holland Irvine CA 92618 U.S.A.
Phone 949-951-5003

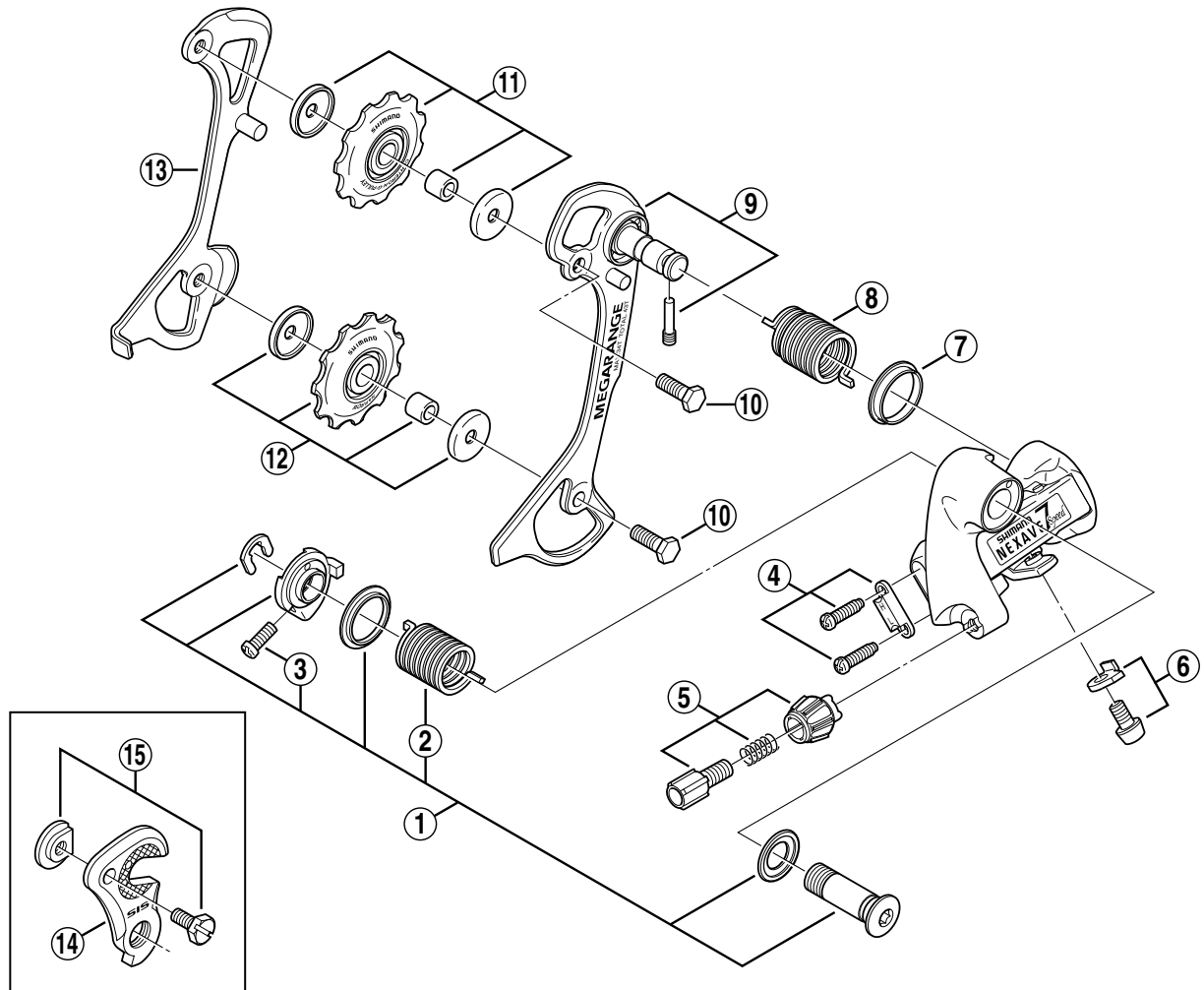
Spare parts list for after market.

- You may photocopy this sheet and use it as an order form.
- *Sie können dieses Blatt kopieren und als Bestellformular verwenden.*
- Vous pouvez photocopier cette feuille et l'utiliser comme bon de commande.
- *Dit blad kan gecopieerd en als bestelformulier gebruikt worden.*
- Potete fotocopiare questo foglio e usarlo come modulo di commissione.

SHIMANO NEXAVE Rear Derailleur (7-Speed)

Jan. 1999

RD-T300-MGS Mega Long Cage



| ITEM NO. | SHIMANO CODE NO. | DESCRIPTION |
|----------|------------------|---|
| 1 | Y-5TL 98010 | B-Axle Assembly |
| 2 | Y-5UF 13000 | B-Tension Spring |
| 3 | Y-556 25030 | B-Tension Adjusting Screw (M4 x 12) |
| 4 | Y-5UN98020 | Stroke Adjusting Screws (M4 x 14.5) & Plate |
| 5 | Y-52A 98010 | Cable Adjusting Bolt Unit |
| 6 | Y-5TD 98010 | Cable Fixing Bolt (M5 x 8.5) & Plate |
| 7 | Y-5UC14000 | P-Seal Ring |
| 8 | Y-5UF 14000 | P-Tension Spring |
| 9 | Y-5UN98040 | Outer Plate Assembly |
| 10 | Y-54Y 25200 | Pulley Bolt (M5 x 14) |
| 11 | Y-5UN98060 | Guide Pulley Unit |
| 12 | Y-5UN98070 | Tension Pulley Unit |
| 13 | Y-5UN90600 | Inner Plate |
| 14 | Y-52U 11000 | Adapter |
| 15 | Y-5UA98030 | Adapter Screw (M5 x 10.5) & Nut |