

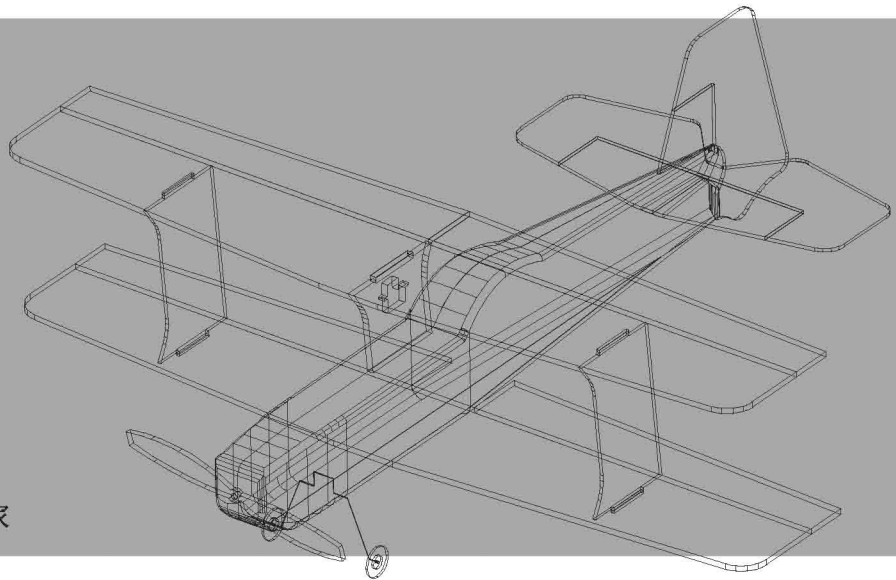


www.ultraflymodel.com

# FURIOUS-3D

## INSTRUCTION MANUAL

Length (全長)	760 mm	30.1 In
Wing Span (翼展)	720 mm	28.3 In
Wing Area (翼面積)	20.2 Dm <sup>2</sup>	313.1 Sq In
Radio Requirement	4 Channel	4動作
Flying weight(全備重)	290 g	10.2 oz



For Advanced Flyers · 適合進階玩家

### PRECAUTION

- Please read through the entire instruction manual before you start .
- First time builders if not familiar with the processes in the manual, please find an experienced builder to help with assembly.
- Always keep children away from the assembly area. Small parts and glue are dangerous to children.
- Please keep this instruction manual for future repairs or parts ordering purposes.

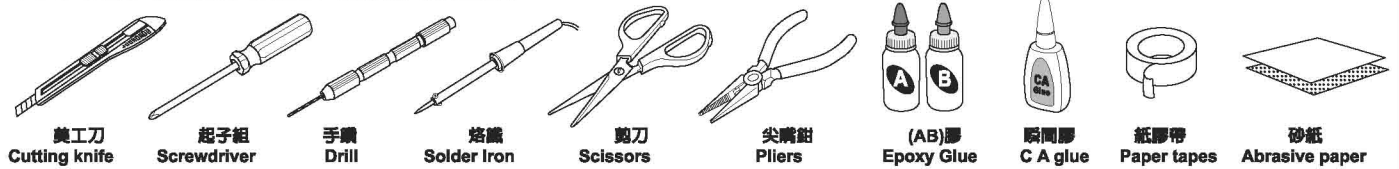
### 請注意

- 組裝前請先閱讀使用說明書
- 初學無任何組裝經驗者請與經驗較豐富的高階玩家一同組裝
- 請在孩童拿不到零件的環境下組裝以確保安全
- 請保留本說明書方便您日後的快速查閱

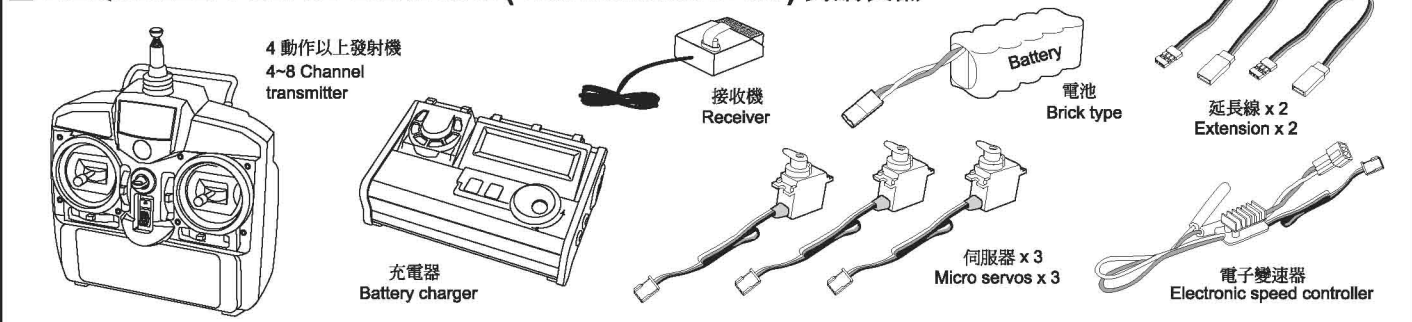
### -----INDEX

• Parts index · 零件表	1
• Tools and radio required to assembly · 組裝前注意事項	2
• 2.Fuselage assembly · 機身的組裝	3
• 3.Tail assembly · 水平尾與垂直尾組裝	4
• 4.Power system · 動力組組裝	6
• 5.Receiver assembly · 接收機線路的組裝	7
• 6.Decal & CG · 貼紙及重心	8

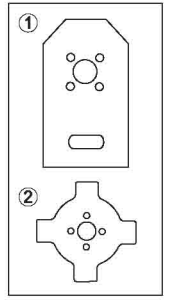
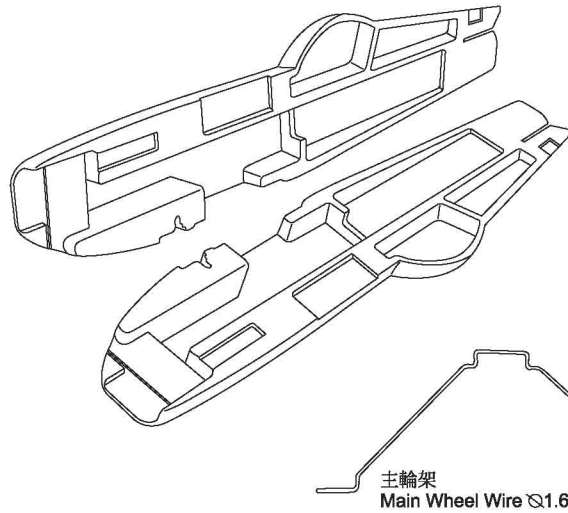
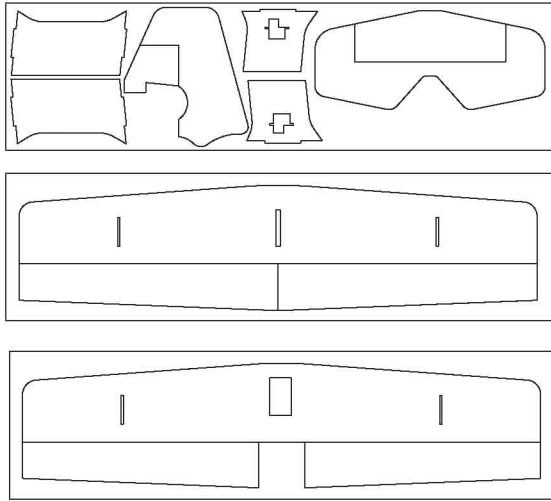
### ■ TOOLS REQUIRED 主裝必須工具



### ■ REQUIRED FOR OPERATION ( Not included in kit ) 另購裝備



# INCLUDED PARTS



① Brushless motor mount Firewall  
② 無刷擋火板 Firewall

主輪架  
Main Wheel Wire  $\varnothing 1.6 \times 205\text{mm}$

碳纖推拉桿  
Carbon Rod  $\varnothing 2 \times 666\text{mm}$

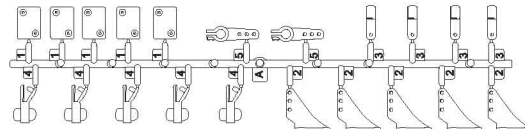
碳纖推拉桿  
Carbon Rod  $W3 \times T1 \times 750\text{mm}$

副翼連動桿  
Aileron Linkage Wire  $\varnothing 0.9 \times 200\text{mm}$

推拉桿 Push Rod  $\varnothing 1.4 \times 390\text{mm}$

推拉桿 Push Rod  $\varnothing 1.4 \times 150\text{mm}$

塑膠配件 (B6)  
Plastic Parts Frame

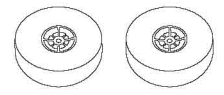


塑膠配件 (A)  
Plastic Parts Frame (A)

動力固定座  
Mounting Stick  $10 \times 10 \times 100\text{mm}$

輪擋套管  
Wheel Stop Tube  $\varnothing 1.4 \times 20\text{mm}$

橡皮套管  
White Teflon Tube  $\varnothing 0.8 \times \varnothing 1.8 \times 50\text{mm}$

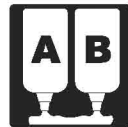


泡棉輪胎  
Light Weight Wheel  
 $\varnothing 1.6 \times \varnothing 35 \times T9\text{mm}$

## BEFORE YOU BEGIN

### <組裝注意事項>

- Read through the manual before you begin, so you will have an overall idea of what to do. 組裝前請詳閱說明書
- Symbols used throughout the instruction manual. 請依符號指示組裝



使用(AB)膠  
Apply epoxy glue



使用瞬間膠  
Foam Safe C.A



使用美工刀  
Cutting knife



使用剪刀  
Use scissors



使用起子組  
Use screwdriver



使用手鑽  
Use drill



使用烙鐵  
Use solder iron



使用紙膠帶  
Pliers



老虎鉗  
Use paper tapes



重點  
Important

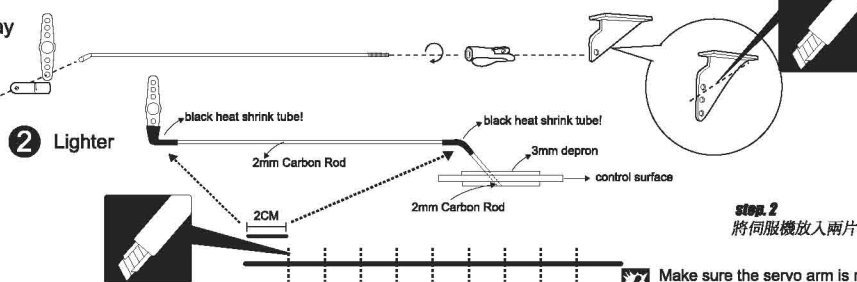


砂紙  
Abrasive paper

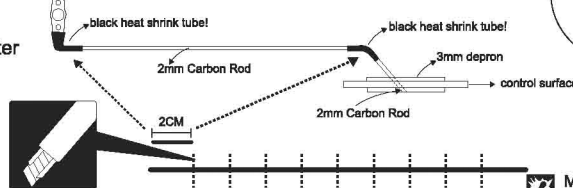
## Push rod & control horn

you have 2 choice to install the push rod & control horn, one is using carbon rod which is lighter but more trouble. The other is using tradition wire with plastic part, if will be faster but 3~5g hevier in AUW.

① Faster way



② Lighter



step 2  
將伺服機放入兩片中間

Make sure the servo arm is neutral position before installation.

Fiberglass stick  
玻纖棒  
2  $\varnothing 85$

**1**

Fiberglass stick  
玻纖棒

**step. 1**  
鎖伺服機

**step. 2**  
將伺服機放入  
兩片中間

Make sure the servo arm is in the neutral position before installation.

**2**

If you are going to use the firewall to mount the power system, you have to install the firewall at this procedure.

1.

2.

3.

4.

CA

**3** Servo mounting holes

Fuselage Left

Fuselage Right

22mm 187mm

Elevator

212mm 15mm

Rudder

**4**

Upper Wing  
上翼

Lower Wing  
下翼

Carbon Rod 3\*1\*750mm

Carbon Rod 3\*1\*750mm

Carbon Rod 3\*1\*750mm

CA

CA

**5**

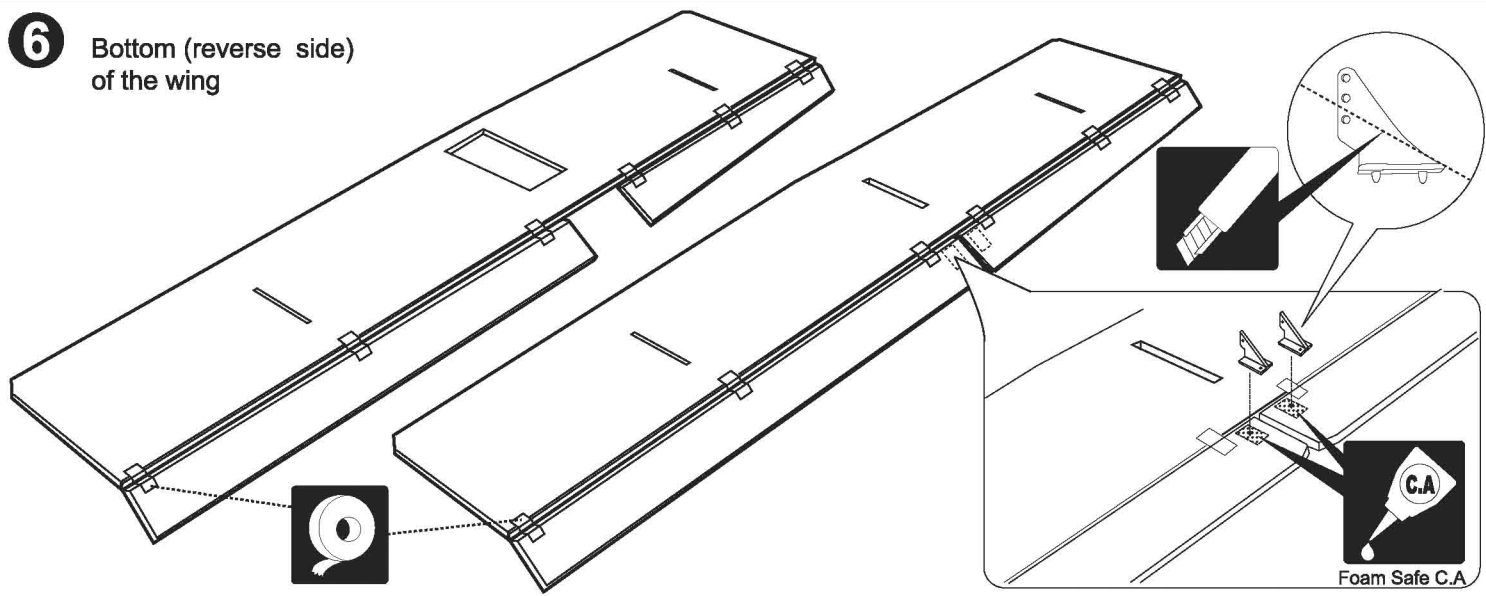
Upper Wing  
上翼

Lower Wing

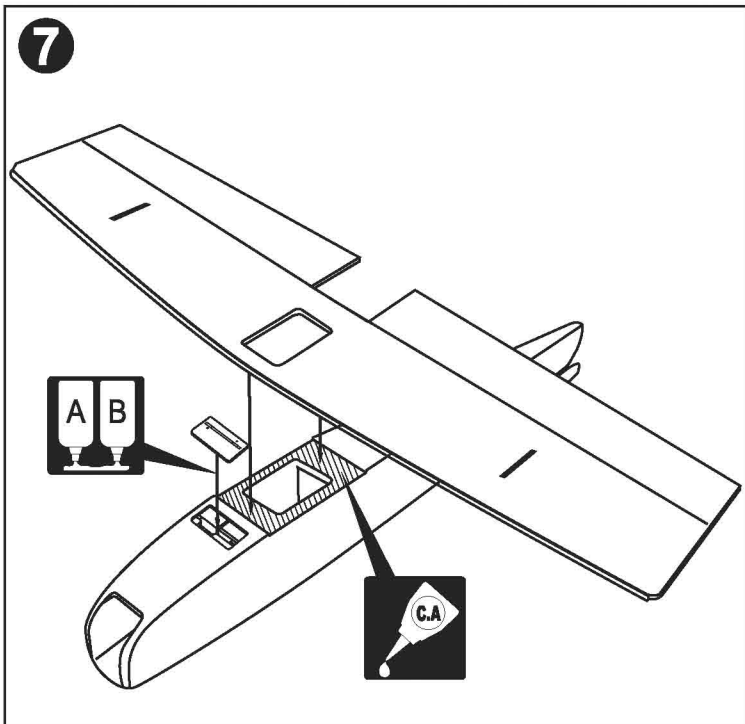
Tape

0.3mm Gap

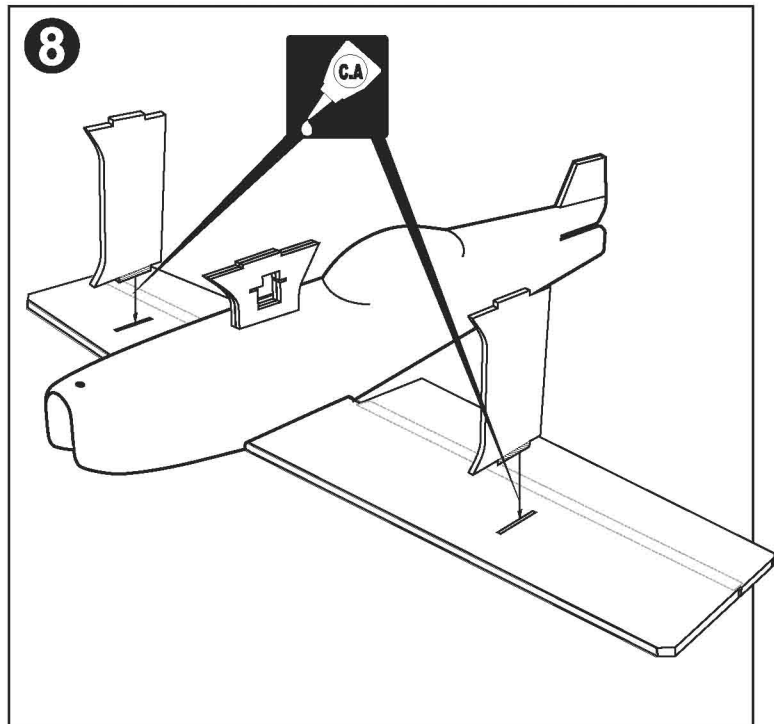
**6** Bottom (reverse side) of the wing



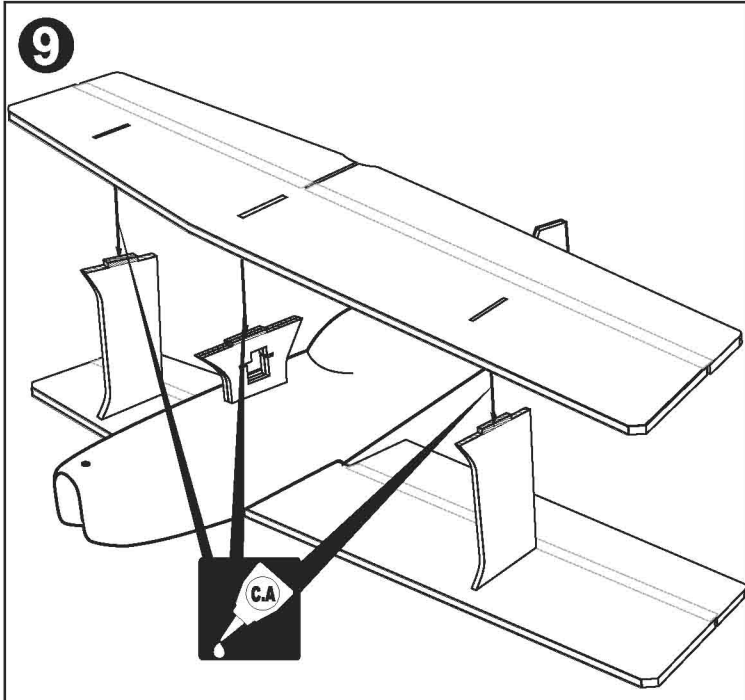
**7**



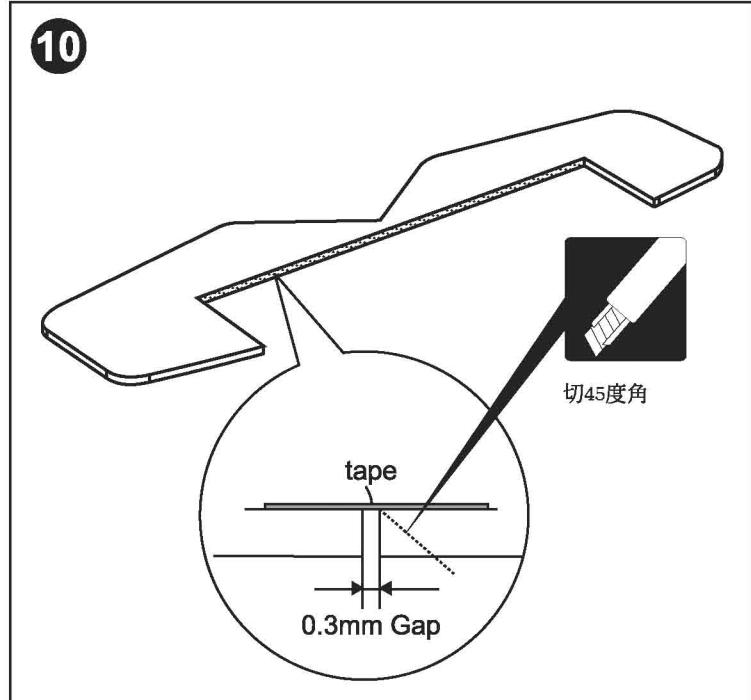
**8**



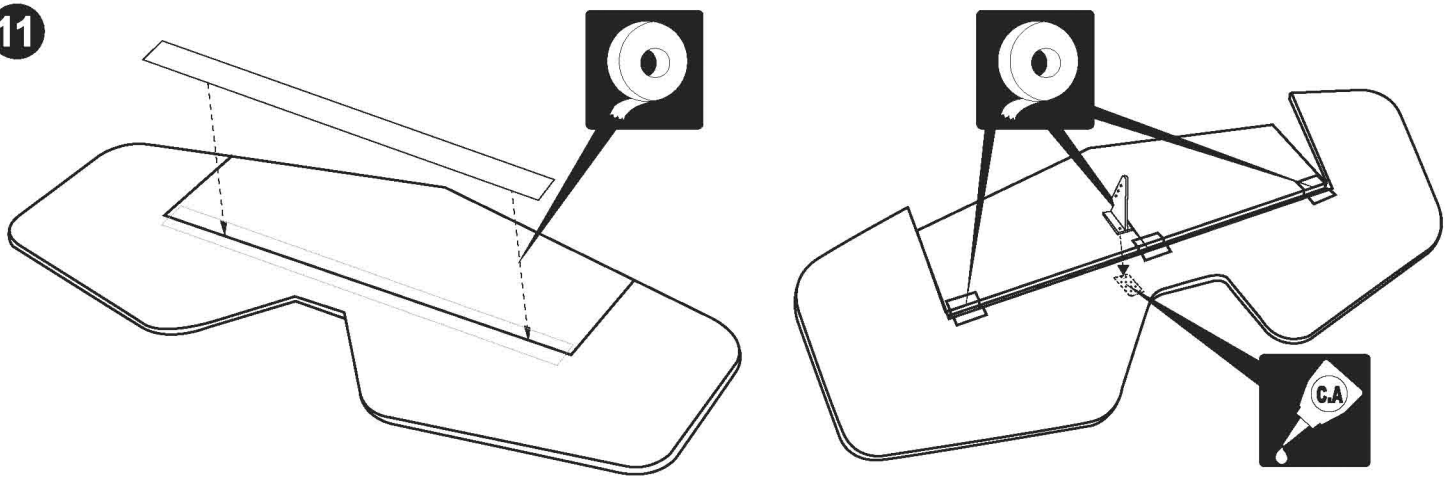
**9**



**10**

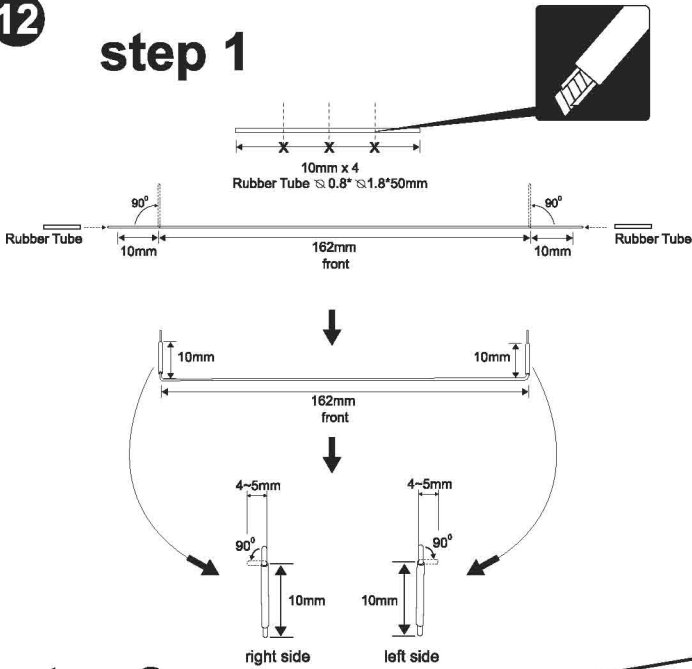


11

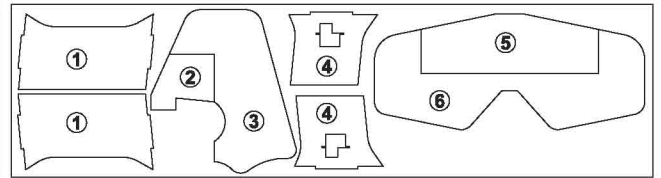


12

step 1



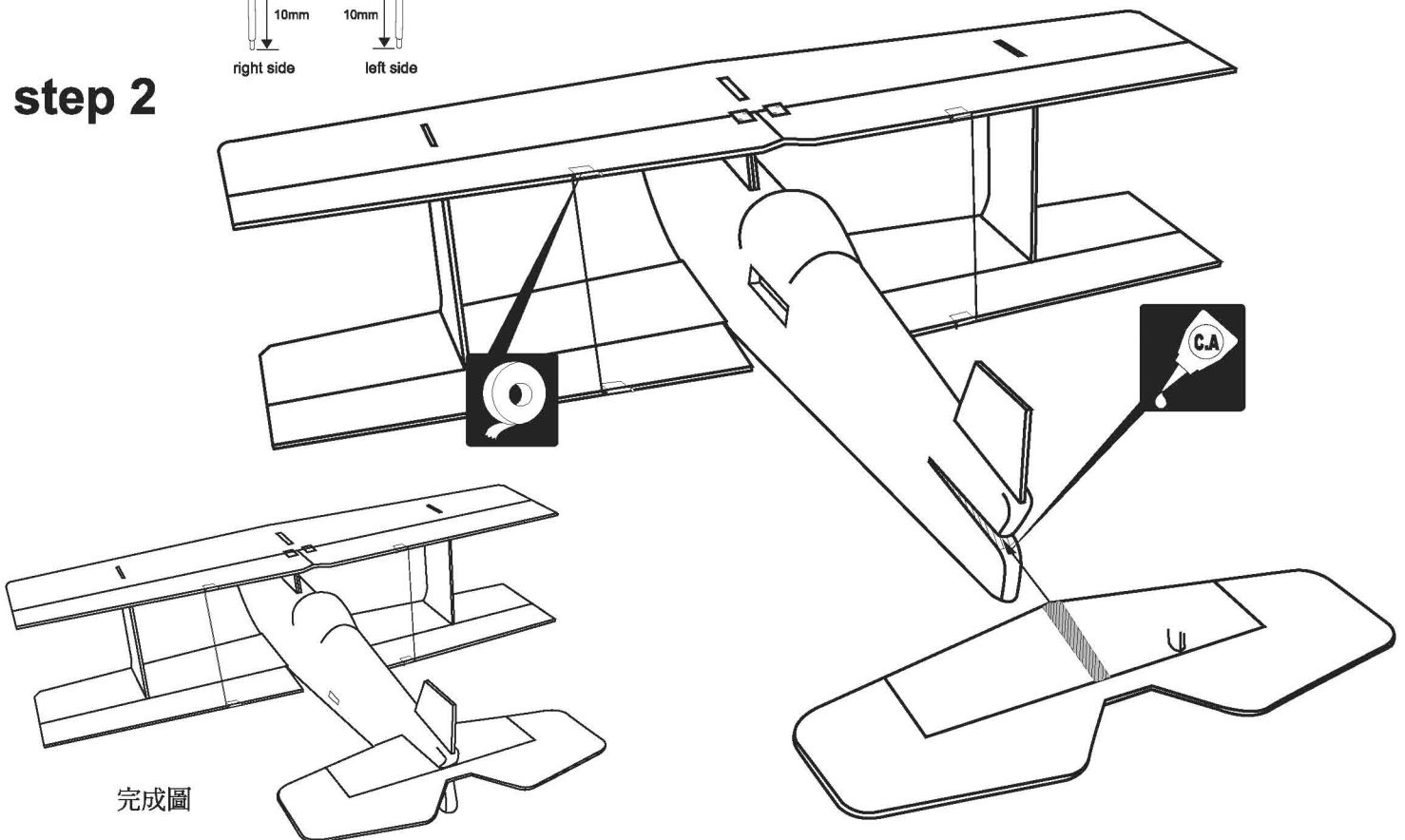
included parts



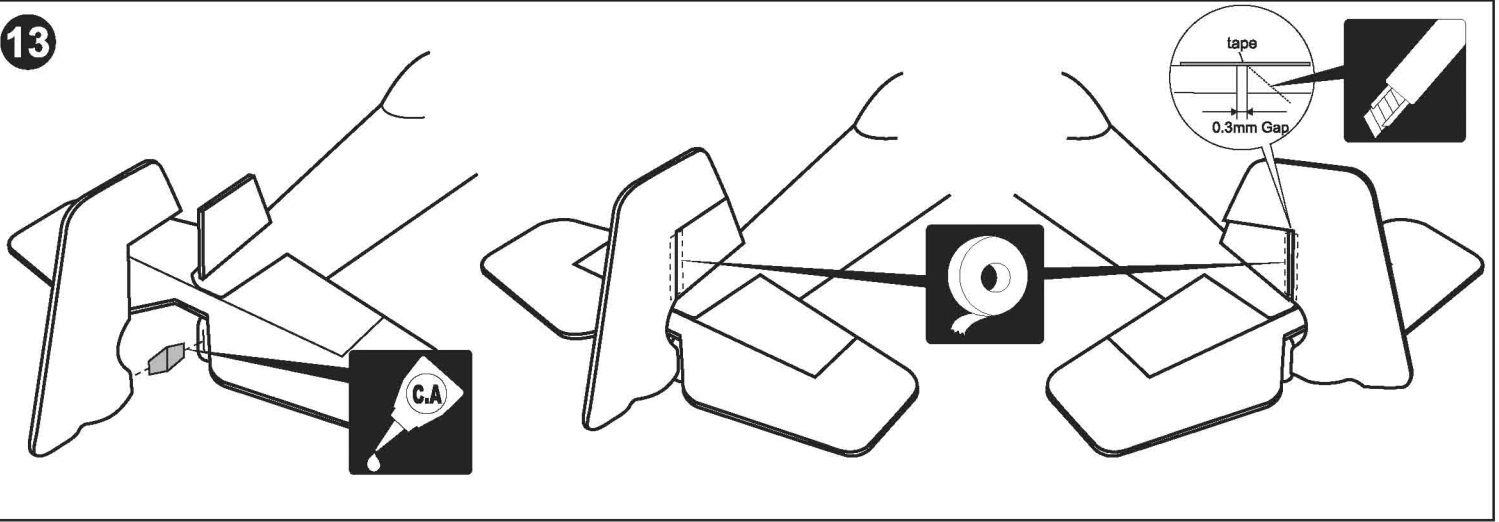
副翼連動桿  
Aileron Linkage Wire  $\varnothing 0.9 \times 200\text{mm}$

橡皮套管  
White Teflon Tube  $\varnothing 0.8 \times \varnothing 1.8 \times 50\text{mm}$

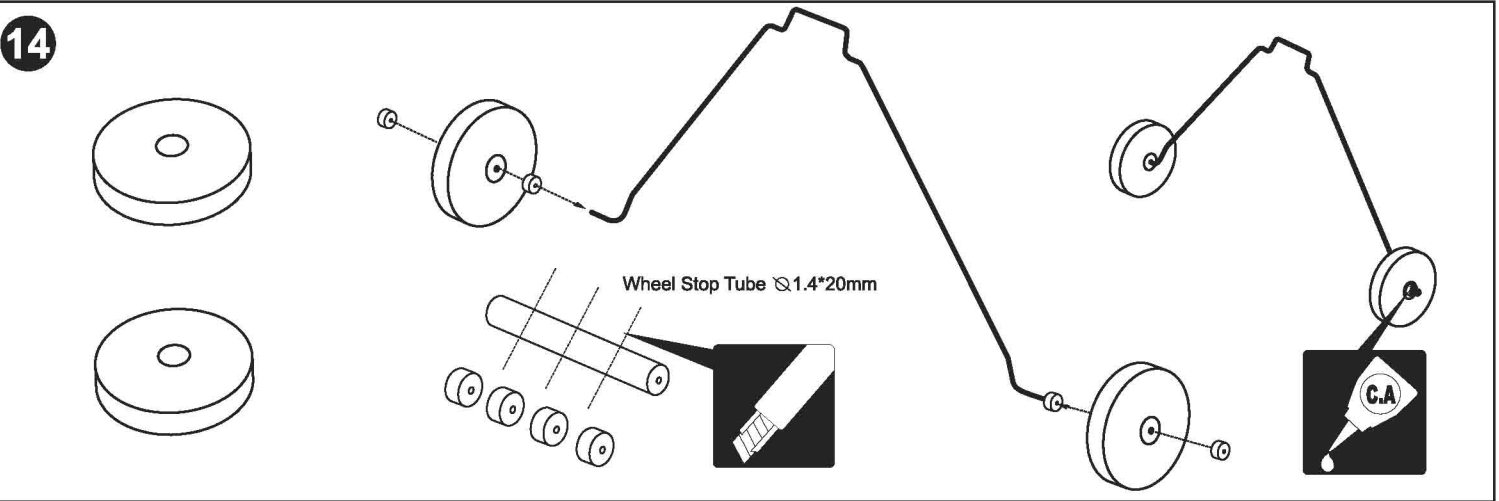
step 2



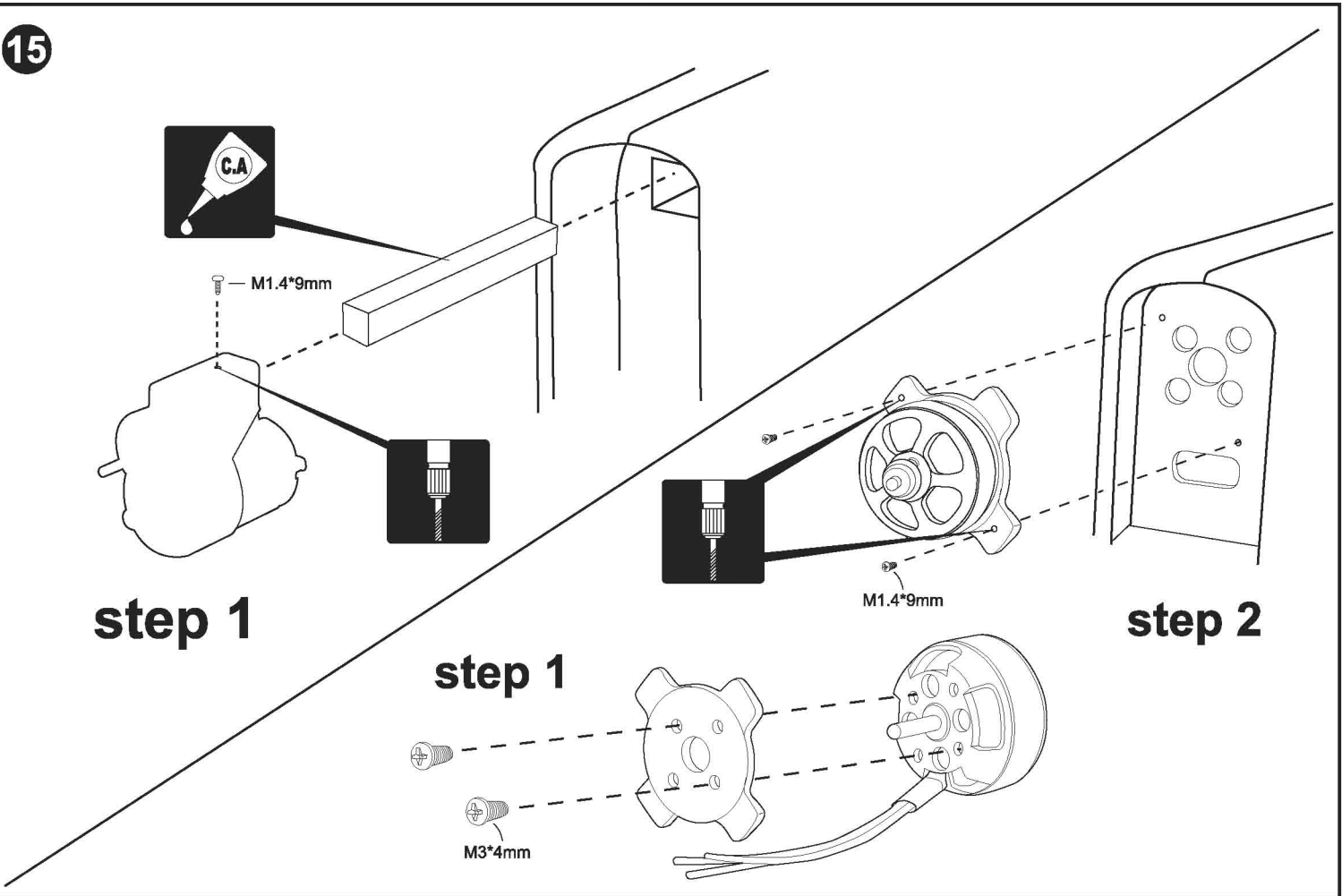
13



14

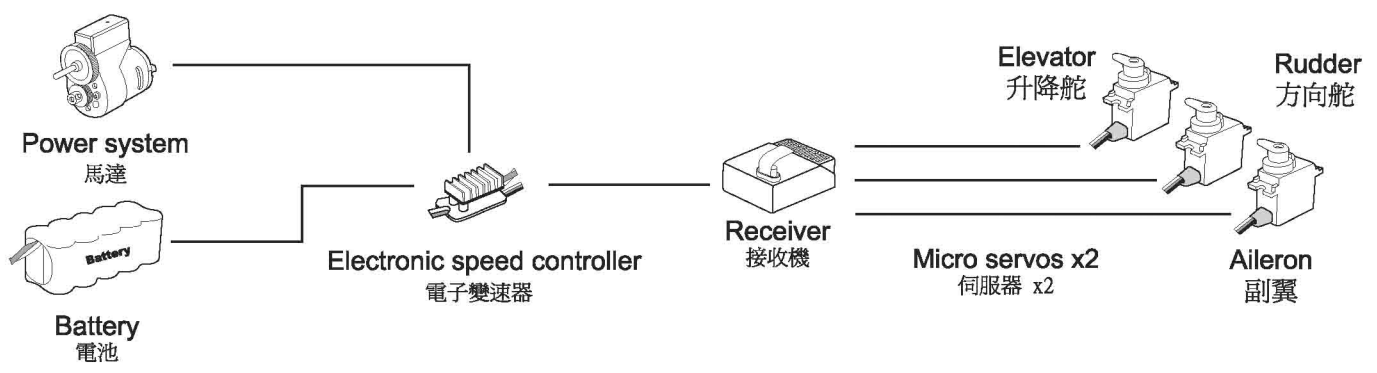


15

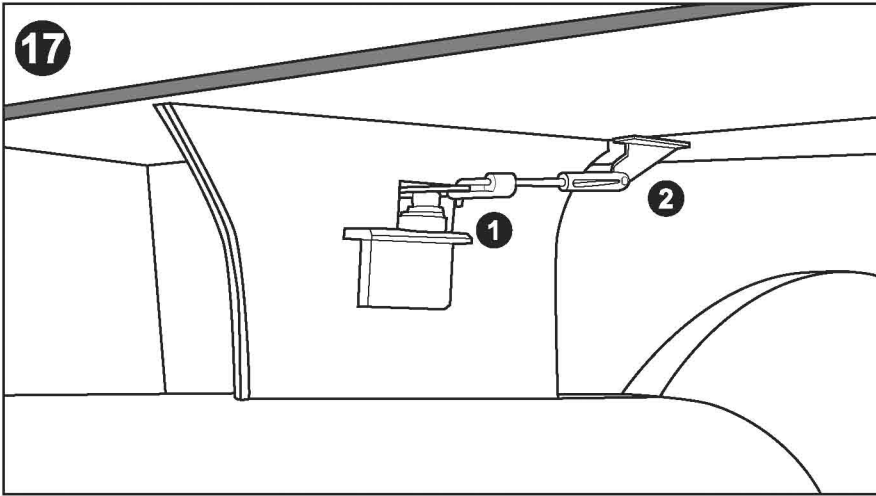


16

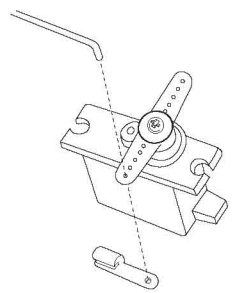
### SERVO and CONTROL LINKAGE ASSEMBLY



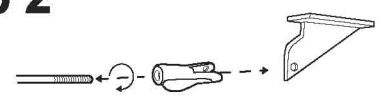
17



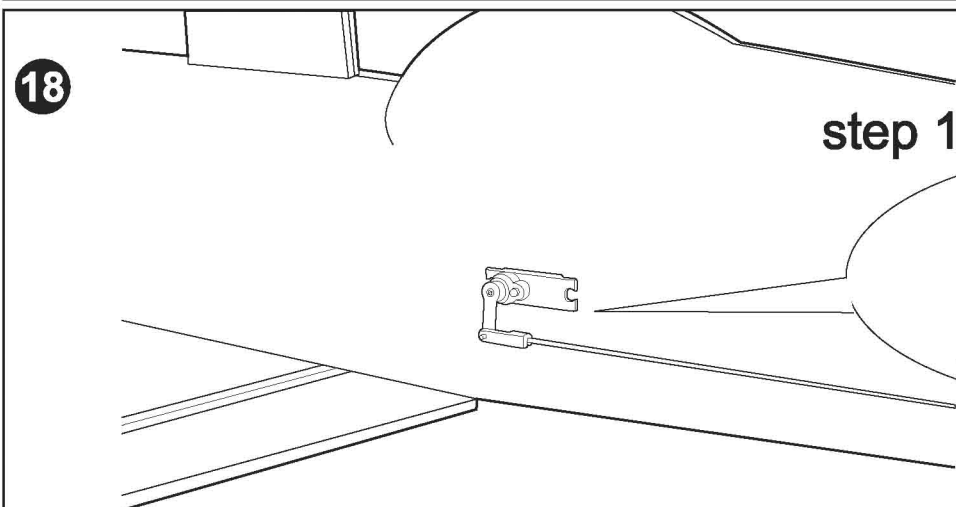
step 1



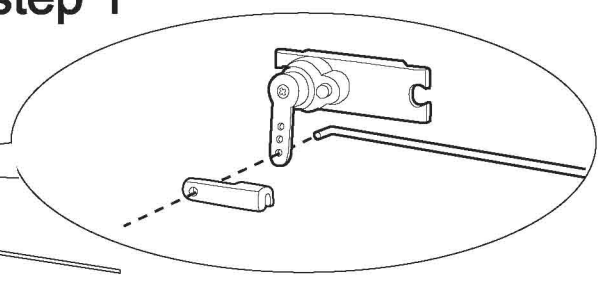
step 2



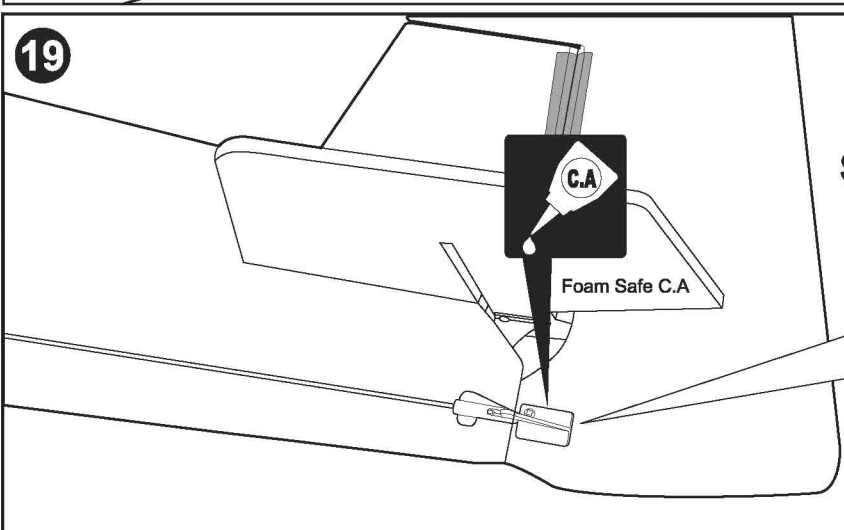
18



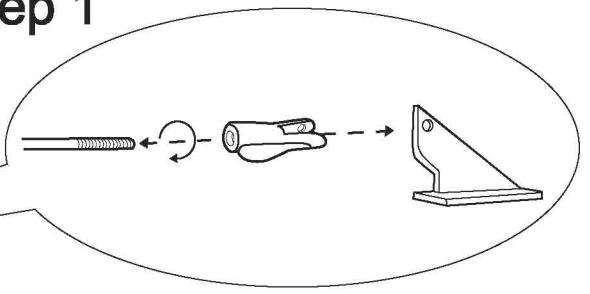
step 1



19

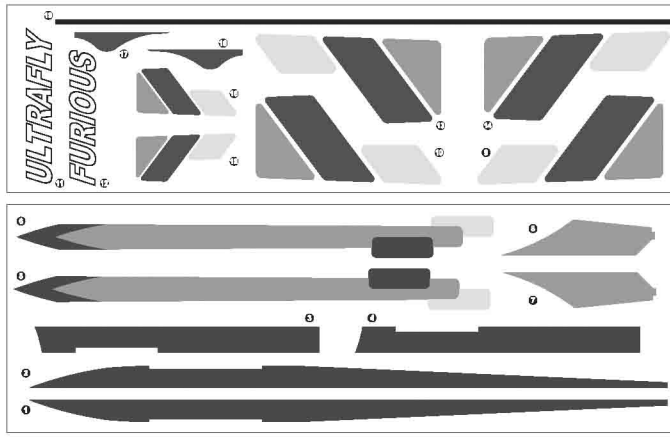


step 1

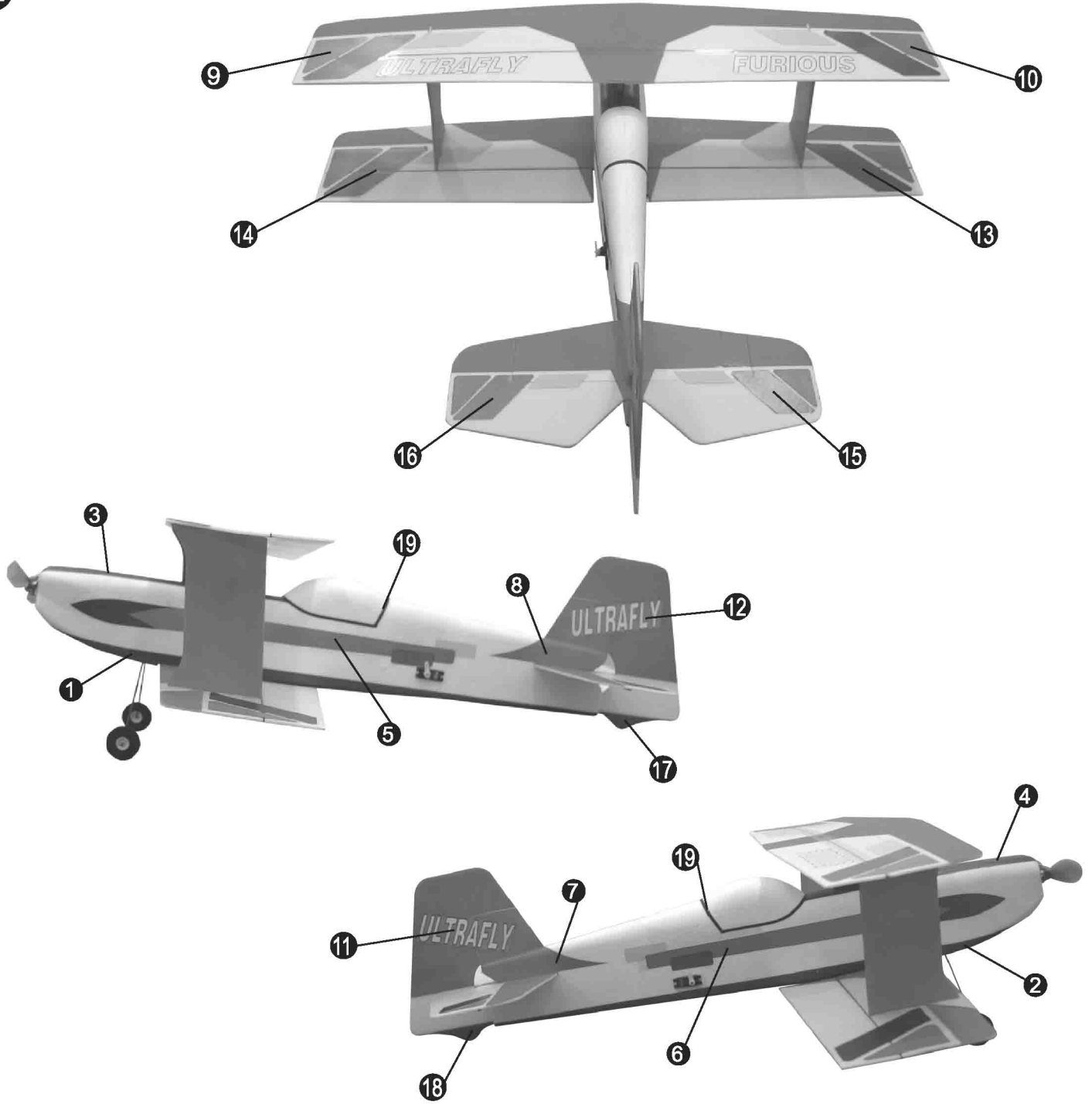


20

Decal sheets



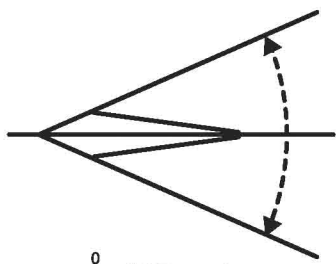
21





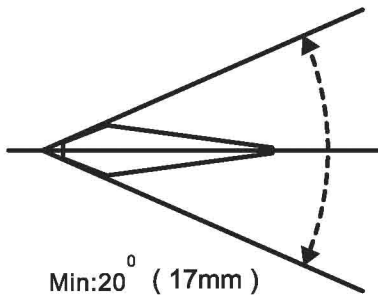
22

## CONTROL SURFACE ANGLE ADJUSTMENT



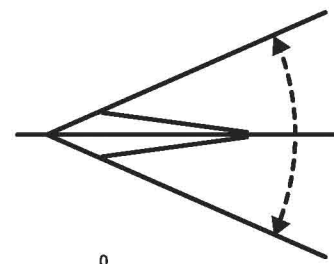
Min: 25° ( 35mm )

Max: 40° ( 60mm )

Exp: 50+ Rudder  
方向舵

Min: 20° ( 17mm )

Max: 30° ( 27mm )

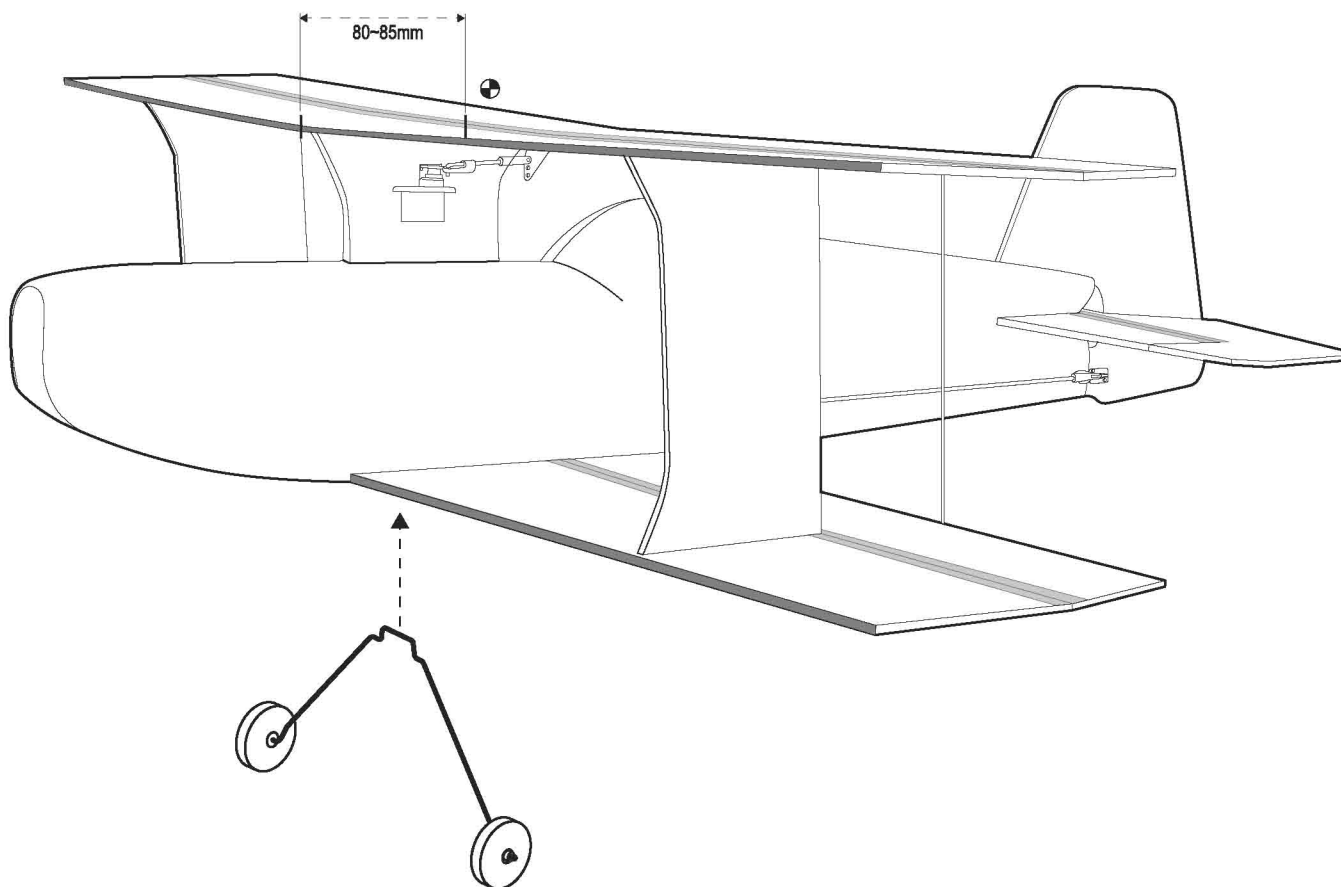
Exp: 50+ Aileron  
副翼

Min: 30° ( 30mm )

Max: 45° ( 45mm )

Exp: 50+ Elevator  
升降舵

23



## Control Surface Set-up &amp; Test Flying

Because of its strong fuselage design, the Furious 3D is capable of flying outdoors as a sport model as well as a 3D model. Thus, setting the control surfaces is a little complicated. It is best to have a transmitter with Hi-Low rate capability. Set the high rates for 3D, and the low rates for sport flying.

The min (low rate) setting refers to a sport model set-up. The max (high rate) setting is for 3D maneuvers.

For your first test flight, select the low rate setting and trim the model first. Once you have established the trim and CG locations, then you can switch to Hi-Rate and practice all the 3D tricks.

Dear Customer,

If you get bored with practicing your 3D tricks inside while the sun shines brightly out at the field, then you should fly the FURIOUS 3D...it performs like a dream indoors and out! This little biplane's scale-like, molded foam fuselage gives it the strength and structural integrity to fly well against the wind — and to survive any minor crashes that might occur as you polish your maneuvers. The combined surface area of both wings greatly reduces the wing loading compared to many other 3D models available. For leisurely 3D flying under roof or in the open sky, the FURIOUS 3D is your choice.

For best results, please use foam-safe CA adhesive to build the FURIOUS 3D. You may also use Ultrafly's "SPEED LOCK" foam glue for assembly, but it will add up to 8 grams to your model's weight.

You have several options for assembling the control mechanism. To keep weight at the minimum, you can use carbon parts – but you will have to cut them yourself. Our standard wire and connectors will enable you to be flight-ready faster, but will also add about 8-9 grams of weight.

You can use any of the configurations below to fly the FURIOUS 3D:

Motors	Gearbox	Gear ratio	Propeller	Battery	Amp draw (3D)	Amp draw (hovering)
GWS 350	GWS	5:1	10x4.7	2S LiPo	9A	7.0A
B/06/10	N/A	N/A	10x4.7	3S LiPo	9.5A	4.5A
B/06/12	N/A	N/A	9x4.7	2S LiPo	11A	6.2A

Please be careful when flying with LiPo batteries. Read your LiPo battery's manual before you use it.

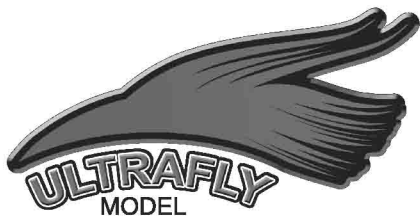
When you are selecting a radio system, choose a lightweight sub micro servo (6.5g) and lightweight 4-channel receiver. When you are buying a LiPo battery, ask about its discharge rate. It must be able to discharge current at the values shown in the 3D column.

You are always welcome to send us your suggestions at [sales@ultraflymodel.com](mailto:sales@ultraflymodel.com)

For service, please contact the distributors in your country or [service@ultraflymodel.com](mailto:service@ultraflymodel.com). For users in the United States, please send mail to [ultraflymodel@hobbico.com](mailto:ultraflymodel@hobbico.com). Your comments will help us continue providing the best products for your future enjoyment!

Sincerely,

Ultrafly Model Corp.



[WWW.ULTRAFLYMODEL.COM](http://WWW.ULTRAFLYMODEL.COM)

### SAFETY PRECAUTIONS

- First-time modelers should seek advice from an experienced modeler in order to correctly maintain and operate the model. Always keep the instruction manual handy for reference.
- Please take adequate safety measures when operating this model. You are responsible for this model's safe operation and correct maintenance.

This product is suitable only for people of 14 years and older. This is not a toy! WARNING: CHOKING HAZARD – May contain small parts. Keep away from children under 3 years.

Este producto es indicado sólo para personas de más de 14 años de edad. ¡No es un juguete! ADVERTENCIA: PELIGRO DE SOFOCAMIENTO – Puede contener piezas de tamaño pequeño. Mantener fuera del alcance de niños menores de 3 años de edad.

Ce produit convient seulement pour les personnes de 14 ans et plus. Ceci n'est pas un jouet ! AVERTISSEMENT : DANGER DE SUFFOCATION – Peut contenir de petites pièces. Gardez loin des enfants de moins de 3 ans.

Dieses Produkt eignet sich nur für Personen ab 14 Jahren. Es ist kein Spielzeug! WARNUNG: GEFAHR DES VERSCHLUCKENS – Kann Kleinteile enthalten. Von Kindern unter 3 Jahren fern halten.

Questo articolo è indicato solo per persone maggiori di 14 anni di età. Non è un giocattolo! ATTENZIONE: PERICOLO DI SOFFOCAMENTO – Può contenere pezzi di piccole dimensioni. Tenere fuori dalla portata dei bambini minori di 3 anni.

Este produto é adequado apenas para pessoas acima de 14 anos de idade. Não é um brinquedo! ADVERTÊNCIA: RISCO DE SUFOCAÇÃO – Pode conter pequenas partes. Mantenha fora do alcance de crianças abaixo de 3 anos de idade.

